

## Fluid Warming

Patent WO 2010/030746  
Canada Patent 2692640

### 3 Liter Bag Tilt Kit

A mechanical innovation that safely stores and warms 1L, 2L, and 3L bags.

This kit is available for both wall mount and countertop units of the ivNow-1, ivNow-2, and ivNow-3 models.

3L Bag Wall Mounted Tilt Kit is OSHPD approved

OPA-0060-13

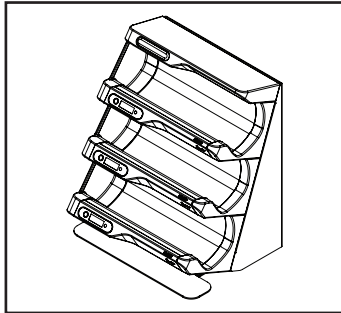


ivNow-3  
pedestal-mounted countertop  
module with tilt kit  
3L BAGS SHOWN

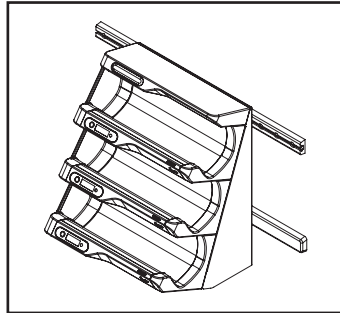
ivNow-1  
countertop module with tilt kit  
1L BAG SHOWN

ACCESSORIES		ivNow-1	ivNow-2	ivNow-3
3L Bag Tilt Kit	COUNTERTOP	(cord exits back of unit) 5014126	(cord exits back of unit) 5014127	(cord exits back of unit) 5014128*
	WALL MOUNTED	(cord exits back of unit) 5014129	(cord exits back of unit) 5014130	(cord exits back of unit) 5014131*
	WALL MOUNTED OPA-0060-13	(cord exits back of unit) 5017700	(cord exits back of unit) 5017701	(cord exits back of unit) 5017702*
Bracket Kit for Horizontal Wall Mount		two (2) GCX horizontal rails included 5012242	two (2) GCX horizontal rails included 5012242	two (2) GCX horizontal rails included 5012242
Bracket Kit for Seismic Horizontal Wall Mount OPA-0698-10		one (1) GCX horizontal rail included 5016601	one (1) GCX horizontal rail included 5016601	two (2) GCX horizontal rails included 5016602*

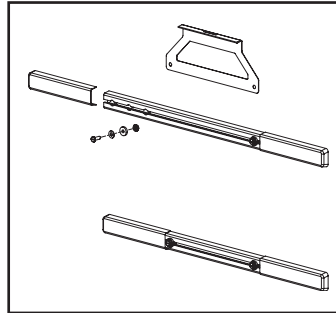
\* See equipment diagram.



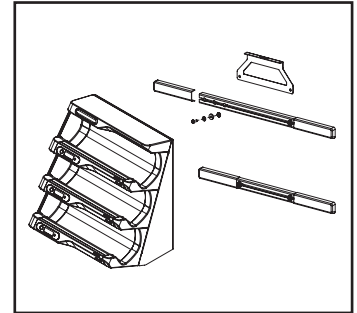
3L Bag Tilt Kit for countertop units (5014128 shown)



3L Bag Tilt Kit for wall mounted units (5014131 shown)



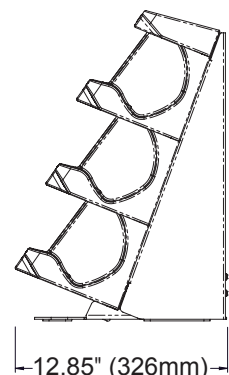
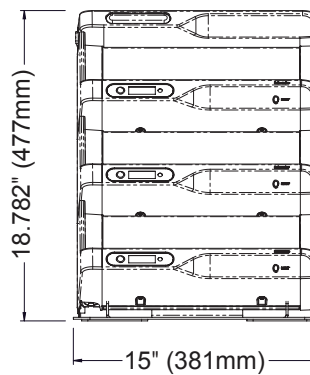
Bracket Kit for Seismic Horizontal Wall Mount 5016602 (ivNow-3)  
**OPA-0698-10** brings the assembly .875" (22mm) from the wall



3L Bag Tilt Kit for wall mounted units (5017702 shown)  
**OPA-0060-13**

### Dimensions with Tilt Kit

Specs	ivNow-1	ivNow-2	ivNow-3
Height (wall unit)	8.68" (222mm)	14.08" (360mm)	18.78" (477mm)
Width (wall unit)	15" (381mm)	15" (381mm)	15" (381mm)
Depth (wall unit)	9.15" (232mm)	11" (279mm)	12.85" (326mm)



### ENTHERMICS MEDICAL SYSTEMS

An ISO 13485:2003 certified company  
PO Box 443, Menomonee Falls WI 53052-0443  
W164 N9221 Water St, Menomonee Falls WI 53051  
Tel 262-251-8356 | 800-TO-B-WARM  
generalinfo@enthermics.com  
www.enthermics.com