

Parts Manual

Storage Cabinet 15.6 cubic foot model

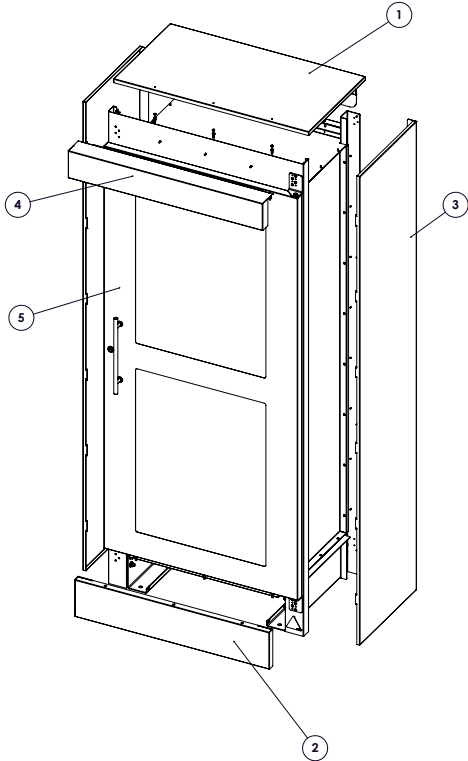
MN-47275 • Rev 0 • 11/2020

Table of Contents

Full View3
Interior View3
Accessories4

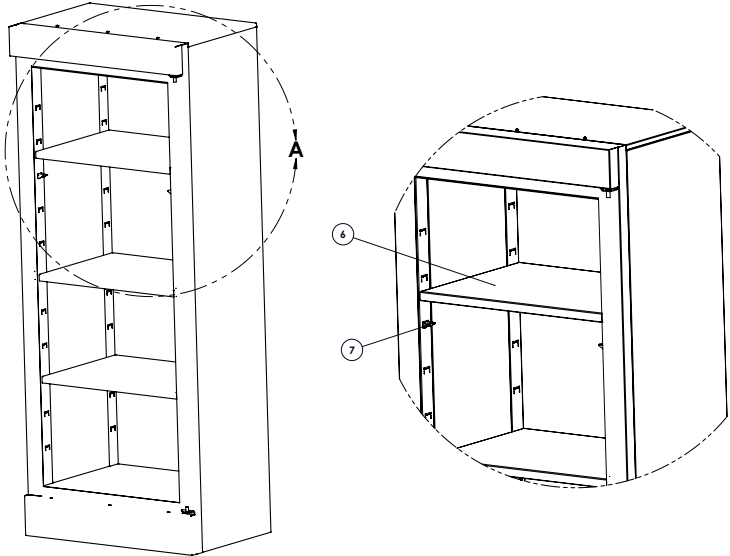
Full View

Item	Description	Part	Qty
1	Top Cover, Reach-In	1034747	1
	Top Cover, Pass-through	1035053	1
2	Panel, Toe-kick	1031542	1
3	Side panel, Reach-in	1031746	2
	Side panel, Pass-through	1031487	2
4	Top Trim	1031774	1
5	Assembly, Door, Window RH, 15.6 ft ³	5031703	1
	Assembly, Door, Window RH, Lock, 15.6 ft ³	5031754	1



Interior View

Item	Description	Part	Qty
6	Panel, Shelf, 15.6 ft ³	1035067	3
7	Clip, Shelf	1026148	12



Serial number is required for all inquiries.

Part numbers and drawings are subject to change without notice.

Service Parts

Accessories

Description	Part No.
	15.6 cu. ft.
Built-in trim kit	contact factory
Lock for door handle	LK-36962
Shelf Kit	contact factory

Serial number is required for all inquiries.

Part numbers and drawings are subject to change without notice.

MN-47275 • Rev 0 • 11/20 • 15.6 cu. ft. Storage Cabinet