

# ivNext<sup>®</sup> Fluid Warmer



Enthermics' new **iv Inventory Management System** takes the guesswork out of warming by providing clinicians a simple way to monitor and precisely warm iv bags.

Fluids are safely warmed to recommended temperatures through the WarmSafe™ zone heating system while WarmRight® technology provides the right temperature to meet healthcare guidelines for iv fluids.

Bags are stored in a shelf matrix that allows heat to rise evenly and keeps inventory visible and organized.

**WarmSafe Zone Heating:** Heat is evenly balanced throughout the chamber to provide safe fluid warming.

**Intelligent:** The color-coded lighting inside the warmers indicates which bags are ready, still warming or expired.

**Service:** Our worldwide support team is dedicated to providing quality equipment. We walk with you every step of the way to maximize your return on investment.

**Glass Door:** Energy-efficient coated glass door reflects heat back into the cavity.

**Mobile:** Optional casters or mobile cart

**Made in the USA** with a commitment to quality

**Warranty:** 5-year parts/1-year labor (US/Canada only)

**An ISO 13485:2016 certified company**

## Standard Features

- Windowed door with lock
- 10 shelves
- Epoxy-coated interior surfaces
- Programmable control with temperature lock feature
- Interior lighting
- WarmWatch (Data logger)
- Four (4) non-skid rubber feet



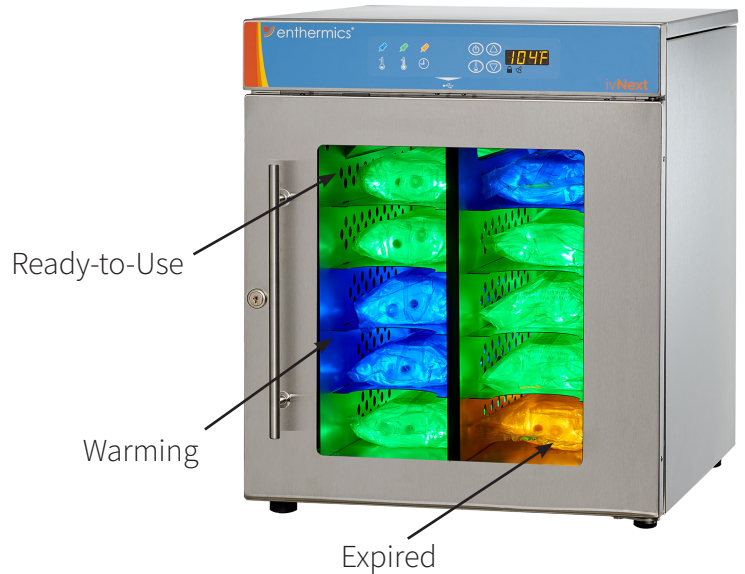
**10** 2.5 ft<sup>3</sup>  
10 (1) Liter bags

CAPACITY



Adjustable temperature range of  
32°-40°C (90°-104°F) adjustable injection mode  
Accurate temperature  
INJ +0/-1.10°C (-2°F)

TEMPERATURE



## Configurations (select one)

### Door Swing

- Right hinged (standard)     Left hinged

### Electrical

- 120V 1PH     220V 1PH     230V 1PH

## Accessories (select all that apply)

**Bumper and Caster Assembly** 3" (76mm) casters, 2 rigid; 2 swivel with brake; overall height increases by 5" (127mm)

- 5017548

**Caster Package with Plate** 3" (76mm) casters, 2 rigid; 2 with brake; overall height increases by 5" (127mm)

- 5017544

### Cart, Mobile

- 3.5" (89mm) casters, 2 swivel; 2 swivel with brake (500206);  
36.5" (876mm) H x 26" (660mm) W x 26" (660mm) D

### Anchorage (4 required)

- Anti-tip bracket (1014403)

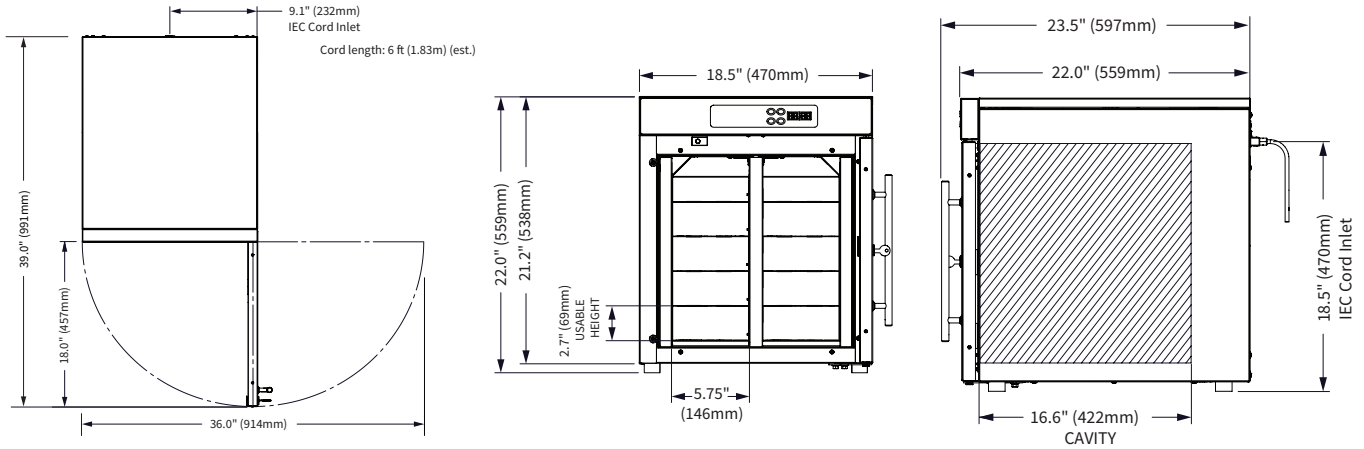
### Stacking Kits

It is recommended that fluid warming units be placed at or near the bottom of the stacked configuration whenever possible for maximum stability

- IvNEXT double-stacked or over/under EC250/L or EC350/L (5017272)

# ivNEXT Fluid Warmer

## Specification



**Top: 1"**  
**Sides: 1"**  
**Bottom: 3/4"**  
**Back: 3"**



Model	Exterior (H x W x D)	Interior (H x W x D)	Net Weight
ivNext	22"(559mm) x 18.5"(470mm) x 23.5"(597mm)	15.25"(387mm) x 15.5"(394mm) x 18.75"(476mm)	67 lbs (30 kg)

	Ship Dimensions (L x W x H)*	Ship Weight*
ivNext	35" x 23" x 30"	116 lbs

\*Domestic ground shipping information. Contact factory for export weight and dimensions.



	V	Ph	Hz	A	kW	Plug Configuration
ivNext	120	1	60	3.7	0.44	NEMA 5-15P; 15A 125V Plug; Hospital Grade
	220	1	60	2.0	0.44	CEE 7/7 220-230V Plug
	230	1	50/60	1.9	0.44	BS 1363 Plug; CEE 7/7 220-230V Plug

\*Other international plugs are available, contact the manufacturer for more information.

\*\*Electrical connections must meet all applicable federal, state and local codes.



IPX-0

## CONTACT US

W164 N9221 Water Street | Menomonee Falls, Wisconsin 53051 | U.S.A.  
Phone: 262.251.8356 | 800.862.9276 | Fax: 262.251.7067 | [enthermics.com](http://enthermics.com)