

Designer Series Fluid Warmers



The patient-friendly Designer Series allows you to put aesthetically pleasing warming units right where they are needed, allowing nurses and aides to maximize their time. The lighting inside the warmers softens the patient's room, placing more emphasis on comfort and care.

Safety is a priority with Entermics Designer Series fluid warmers. Ensure fluids are safely warmed to recommended temperatures through the WarmSafe™ zone heating system. WarmRight® technology provides the right temperature for the right product to meet healthcare guidelines for IV and irrigation fluids.

WarmSafe Zone Heating: Heat is evenly balanced throughout the chamber to provide safe fluid warming.

Convenient: The hands-free, push button door is designed to make loading easier when carrying an armful of fluids.

Service: Our worldwide support team is dedicated to providing quality equipment. We walk with you every step of the way to maximize your return on investment.

Glass Door: Energy-efficient coated glass door reflects heat back into the cavity.

Made in the USA with a commitment to quality

Warranty: 5-year parts/1-year labor (US/Canada only)

An ISO 13485:2016 certified company

Standard Features

- Windowed door
- Organizational basket
- Epoxy-coated exterior & interior surfaces
- Programmable control with temperature lock feature
- Interior lighting with a comforting blue glow
- Temperature management access point
- Four (4) non-skid rubber feet



28 DC400L:
28 (1) liter bags or 20 (1) liter bottles



Adjustable temperature range of
 32°-40°C (90°-104°F) adjustable injection mode
 32°-66°C (90°-150°F) adjustable irrigation mode
 Accurate temperature
 IRR +0/-1.67°C (-3°F)
 INJ +0/-1.10°C (-2°F)



DC400L

Configurations (select one)

Models

- DC400L

Door Assembly

- Blue epoxy coated window door (standard)

Door Swing

- Right hinged (only)

Door Lock

- No lock (standard) Manual lock

Baskets

- 2 baskets (standard) 1 basket (optional)

Electrical

- 120V 1PH 220V 1PH 230V 1PH

Accessories (select all that apply)

Bumper and Caster Assembly 3" (76mm) casters, 2 rigid, 2 swivel with Brake; overall height increases by 5" (127mm)

- DC400L (5017547)

Caster Package with Plate 3" (76mm) casters, 2 rigid, 2 swivel with Brake; overall height increases by 5" (127mm)

- DC400L (5017543)

Cart, Mobile

- 3.5" (89mm) casters, 2 swivel; 2 swivel with brake (5024661);
 36.5" (927mm) H x 26" (660mm) W x 26" (660mm) D

Anchorage (4 required)

- Anti-tip bracket (1014403)

Stacking Kits

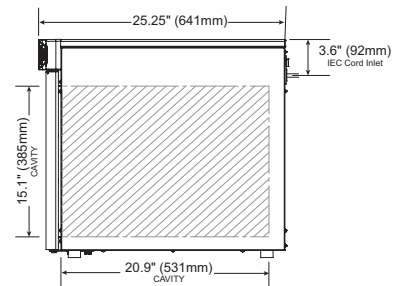
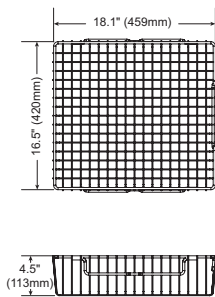
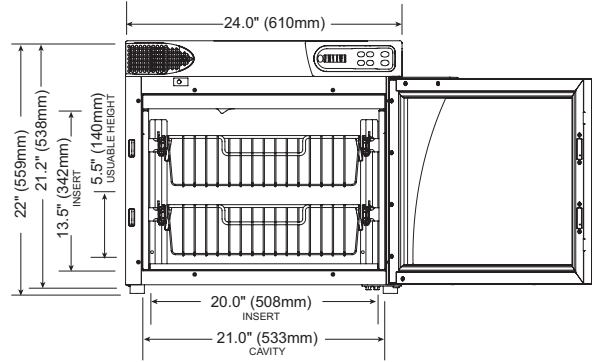
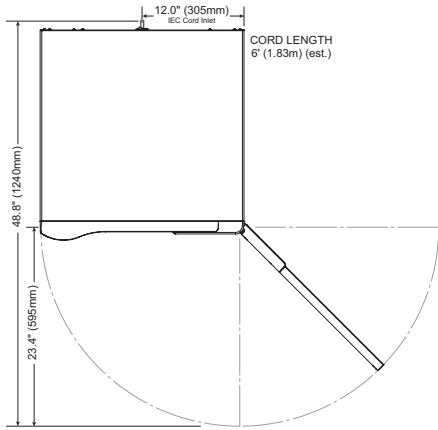
It is recommended that fluid warming units be placed at or near the bottom of the stacked configuration whenever possible for maximum stability

- DC400L stacked with DC400L or DC400 (5013024)

Designer Series Fluid Warming Cabinet



Specification



Top: 1"
Left: 1"
Right: 1"
Back: 3"



Model	Exterior (H x W x D)	Interior (H x W x D)	Net Weight
DC400L	22"(559mm) x 24"(610mm) x 25.25 (641mm)	15.25"(387mm) x 21"(533mm) x 21.5"(546mm)	100 lbs (45 kg)

	Ship Dimensions (L x W x H)*	Ship Weight*
DC400L	31" x 31" x 32"	158 lbs

*Domestic ground shipping information. Contact factory for export weight and dimensions.



	V	Ph	Hz	A	kW	Plug Configuration
DC400L	120	1	60	5.8	0.7	NEMA 5-15P; 15A 125V Plug; Hospital Grade
	220	1	50	2.7	0.6	CEE 7/7 220-230V Plug
	230	1	50	3	0.7	BS 1363 Plug; CEE 7/7 220-230V Plug

*Other international plugs are available, contact the manufacturer for more information.

**Electrical connections must meet all applicable federal, state and local codes.



IP-X0

CONTACT US

W164 N9221 Water Street | Menomonee Falls, Wisconsin 53051 | U.S.A.
Phone: 262.251.8356 | 800.862.9276 | Fax: 262.251.7067 | enthermics.com